



Main

Range of product	Modicon Quantum automation platform
Product or component type	Analogue input module
Type of filter	Single pole low pass - 3 dB at 34 Hz +/- 25 %

Complementary

Analogue input number	16
Input type	Differential
Addressing requirement	17 input words
Analogue input resolution	0...4095 counts 4...20 mA 0...25000 counts 0...25 mA 0...20000 counts 0...20 mA 0...16000 counts 4...20 mA
Absolute maximum input	30 mA
Input impedance	250 Ohm
Absolute accuracy error	+/- 0.125 % of full scale
Linearity error	+/- 6 µA max 4...20 mA +/- 6 µA max 0...25 mA +/- 6 µA max 0...20 mA +/- 12 µA max 4...20 mA
Accuracy drift according to temperature	<= 0.0050 % of full scale /°C +/- 0.0025 % of full scale/°C
Common mode rejection	> -90 dB 60 Hz
Isolation between channels and bus	1780 V AC for 60 s
Update time	15 ms 2 wires/4 wires
Fault type	Broken wire 4...20 mA
Marking	CE
Local signalling	16 LEDs red channel fault 16 LEDs green channel is turned on 1 LED red external fault 1 LED green bus communication is present (Active)
Bus current requirement	360 mA
Power dissipation in W	5 W
Module format	Standard
Product weight	0.3 kg

The information provided in this documentation contains general descriptions and/or technical characteristics of the performance of the products contained herein. This documentation is not intended as a substitute for and is not to be used for determining suitability or reliability of these products for specific user applications. It is the duty of any such user or integrator to perform the appropriate and complete risk analysis, evaluation and testing of the products with respect to the relevant specific application or use thereof. Neither Schneider Electric Industries SAS nor any of its affiliates or subsidiaries shall be responsible or liable for misuse of the information contained herein.

Environment

Standards	CSA C22.2 No 142 UL 508
Product certifications	CUL FM Class 1 Division 2
Resistance to electrostatic discharge	8 kV on air conforming to IEC 801-2 4 kV contact conforming to IEC 801-2
Resistance to electromagnetic fields	10 V/m 80...1000 MHz conforming to IEC 801-3
Ambient air temperature for operation	0...60 °C
Ambient air temperature for storage	-40...85 °C
Relative humidity	95 % without condensation
Operating altitude	<= 5000 m

Offer Sustainability

Sustainable offer status	Green Premium product
RoHS	Compliant - since 0825 - Schneider Electric declaration of conformity
REACH	Reference not containing SVHC above the threshold
Product environmental profile	Available Download Product Environmental
Product end of life instructions	Need no specific recycling operations

Contractual warranty

Period	18 months
--------	-----------

Racks for Modules Mounting

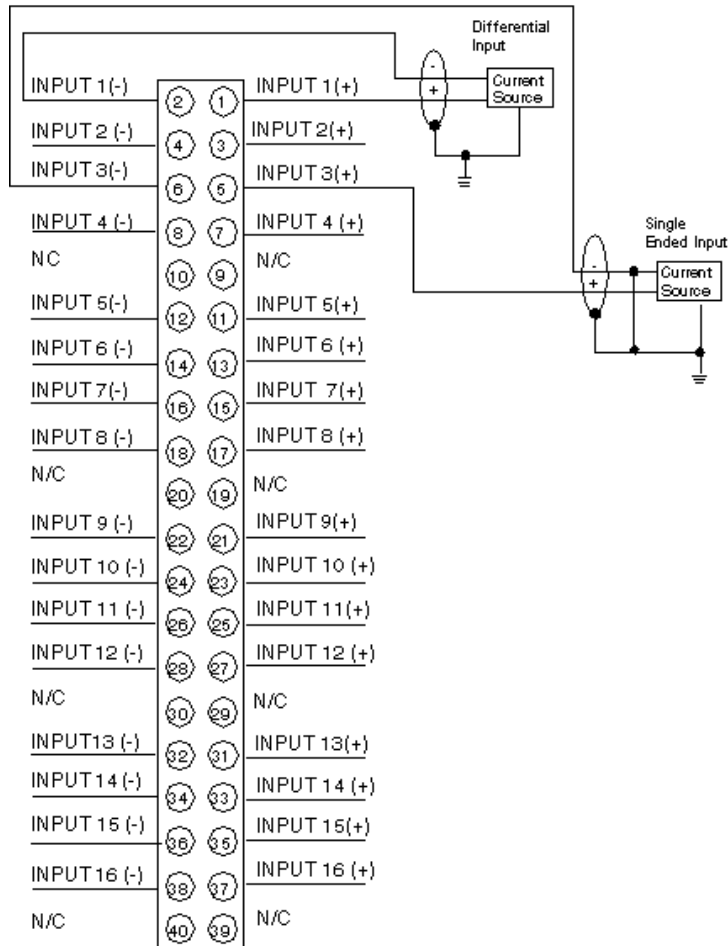
Dimensions of Modules and Racks



- (1) 2 slots
- (2) 3 slots
- (3) 4 slots
- (4) 6 slots
- (5) 10 slots
- (6) 16 slots

High Density Analog Input Module (16-Channel)

Wiring Diagram



N/C Not Connected

The maximum channel to channel working voltage cannot exceed 30 Vdc.