

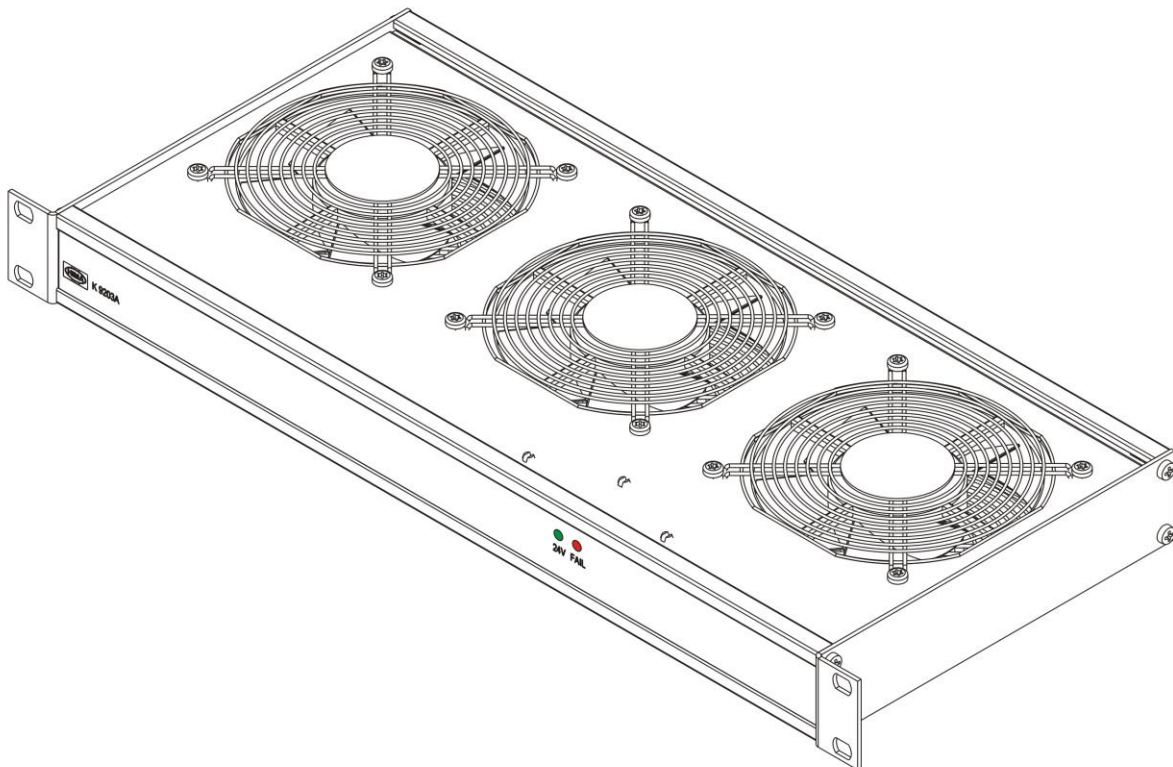


K 9203A

K 9203A Rack Fan

The K 9203A rack fan is a circulation fan equipped with the following components:

- 3 axial fans
- Redundant supply
- Fan operation monitoring
- Voltage monitoring



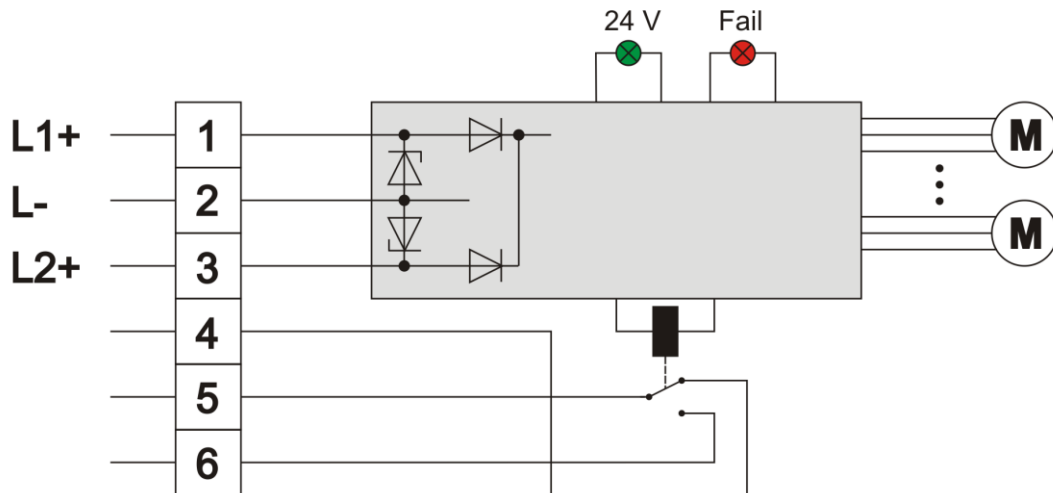
Application: Forced ventilation of 19" rack installations. Air is sucked in below the circulation fan and is blown out from the top. The axial fans are positioned to align with HIMA 19" subracks.

Installation site: Anywhere within the 19" field

Specifications:

Material	Aluminum, anodized
Operating data	24 VDC, -15...+20 %, $r_{pp} \leq 15$ % max. 750 mA
Air flow	300 m ³ per hour
Rated speed	2800 min ⁻¹
Sound pressure level	approx. 55 dB(A)
Lifetime at 40 °C	62 500 h
Space requirement	19", 1 RU, depth 215 mm
Weight	1.8 kg
Ambient temperature	-20...+70 °C

Block diagram:



The fault relays contacts can be used to connect optical and acoustical detectors with current input up to 1 A.

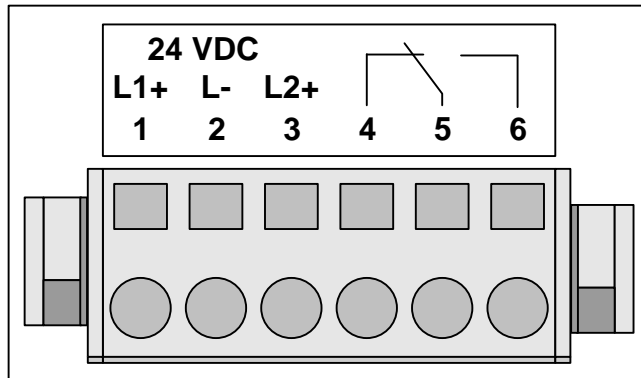
Operation and error indicators:

Operating state	Connector plug, pins 4 and 5	Connector plug, pins 5 and 6	LED Fail	LED 24 V
No fault	Open	Closed	OFF	ON
Operating voltage < 20.4 V or > 28.8 V	Open	Closed	OFF	BLINKING
Operating voltage is missing or fuse is defective	Closed	Open	OFF	OFF
Fan malfunction *	Closed	Open	ON	ON

* Fan speed < 75...85 % of the rated speed

Connector plug:

The connector plug is used to connect the cabinet fan to the power supply. To increase availability, terminal 3 may be connected to a redundant power supply. Optical and acoustic detectors can be connected to terminals 4...6.



The following wires can be connected:

Wire	Cross-section	Connection
Single-wire	0.08...2.5 mm ²	Spring-cage terminal *
Finely stranded	0.25...1.5 mm ²	Spring-cage terminal *
Finely stranded with wire end ferrule	0.25...2.5 mm ²	Spring-cage terminal *

* Actuation tool (screwdriver slotted 3.5 x 0.5 mm)