



CompactBlock Safety I/O Modules on DeviceNet Series 1791DS

Catalog Number 1791DS-IB12, 1791DS-IB8X0B8, 1791DS-IB4X0W4

Topic	Page
Summary of Changes	1
Understand Suitability for Use	4
Mount	4
Wire	5
Controlling Devices Requirements	5
Functions and Dimensions	7
Status Indicators	7
Specifications	8
Certifications	9
Additional Resources	10

Summary of Changes

This publication contains the following new or updated information. This list includes substantive updates only and is not intended to reflect all changes.

Topic	Page
Updated technical and environmental specifications	8
Updated certifications	9



ATTENTION: Read this document and the documents listed in the Additional Resources section about installation, configuration and operation of this equipment before you install, configure, operate or maintain this product. Users are required to familiarize themselves with installation and wiring instructions in addition to requirements of all applicable codes, laws, and standards.

Activities including installation, adjustments, putting into service, use, assembly, disassembly, and maintenance are required to be carried out by suitably trained personnel in accordance with applicable code of practice. If this equipment is used in a manner not specified by the manufacturer, the protection provided by the equipment may be impaired.

注意：在安装、配置、操作和维护本产品前，请阅读本文档以及“其他资源”部分列出的有关设备安装、配置和操作的相应文档。除了所有适用规范、法律和标准的相关要求之外，用户还必须熟悉安装和接线说明。

如果未按照制造商指定的方式使用该设备，则可能会损害设备提供的保护。

如果没有按照制造商指定的方式使用该设备，则可能会损害设备提供的保护。

ATENCIÓN: Antes de instalar, configurar, poner en funcionamiento o realizar el mantenimiento de este producto, lea este documento y los documentos listados en la sección Recursos adicionales acerca de la instalación, configuración y operación de este equipo. Los usuarios deben familiarizarse con las instrucciones de instalación y cableado y con los requisitos de todos los códigos, leyes y estándares vigentes.

El personal debidamente capacitado debe realizar las actividades relacionadas a la instalación, ajustes, puesta en servicio, uso, ensamblaje, desensamblaje y mantenimiento de conformidad con el código de práctica aplicable. Si este equipo se usa de una manera no especificada por el fabricante, la protección provista por el equipo puede resultar afectada.

ATENÇÃO: Leia este e os demais documentos sobre instalação, configuração e operação do equipamento que estão na seção Recursos adicionais antes de instalar, configurar, operar ou manter este produto. Os usuários devem se familiarizar com as instruções de instalação e fiação além das especificações para todos os códigos, leis e normas aplicáveis.

É necessário que as atividades, incluindo instalação, ajustes, colocação em serviço, utilização, montagem, desmontagem e manutenção sejam realizadas por pessoal qualificado e especializado, de acordo com o código de prática aplicável.

Caso este equipamento seja utilizado de maneira não estabelecida pelo fabricante, a proteção fornecida pelo equipamento pode ficar prejudicada.

ВНИМАНИЕ: Перед тем как устанавливать, настраивать, эксплуатировать или обслуживать данное оборудование, прочитайте этот документ и документы, перечисленные в разделе «Дополнительные ресурсы». В этих документах изложены сведения об установке, настройке и эксплуатации данного оборудования. Пользователи обязаны ознакомиться с инструкциями по установке и прокладке соединений, а также с требованиями всех применимых норм, законов и стандартов.

Все действия, включая установку, наладку, ввод в эксплуатацию, использование, сборку, разборку и техническое обслуживание, должны выполняться обученным персоналом в соответствии с применимыми нормами и правилами.

Если оборудование используется не предусмотренным производителем образом, защита оборудования может быть нарушена.

注意：本製品を設置、構成、稼働または保守する前に、本書および本機器の設置、設定、操作についての参考資料の該当箇所に記載されている文書に目を通してください。ユーザは、すべての該当する条例、法律、規格の要件に加えて、設置および配線の手順に習熟している必要があります。

設置調整、運転の開始、使用、組立て、解体、保守を含む諸作業は、該当する実施規則に従って訓練を受けた適切な作業員が実行する必要があります。

本機器が製造メーカーにより指定されていない方法で使用されている場合、機器により提供されている保護が損なわれる恐れがあります。

ACHTUNG: Lesen Sie dieses Dokument und die im Abschnitt „Weitere Informationen“ aufgeführten Dokumente, die Informationen zu Installation, Konfiguration und Bedienung dieses Produkts enthalten, bevor Sie dieses Produkt installieren, konfigurieren, bedienen oder warten. Anwender müssen sich neben den Bestimmungen aller anwendbaren Vorschriften, Gesetze und Normen zusätzlich mit den Installations- und Verdrahtungsanweisungen vertraut machen.

Arbeiten im Rahmen der Installation, Anpassung, Inbetriebnahme, Verwendung, Montage, Demontage oder Instandhaltung dürfen nur durch ausreichend geschulte Mitarbeiter und in Übereinstimmung mit den anwendbaren Ausführungsvorschriften vorgenommen werden.

Wenn das Gerät in einer Weise verwendet wird, die vom Hersteller nicht vorgesehen ist, kann die Schutzfunktion beeinträchtigt sein.

ATTENTION : Lisez ce document et les documents listés dans la section Ressources complémentaires relatifs à l'installation, la configuration et le fonctionnement de cet équipement avant d'installer, configurer, utiliser ou entretenir ce produit. Les utilisateurs doivent se familiariser avec les instructions d'installation et de câblage en plus des exigences relatives aux codes, lois et normes en vigueur. Les activités relatives à l'installation, le réglage, la mise en service, l'utilisation, l'assemblage, le démontage et l'entretien doivent être réalisées par des personnes formées selon le code de pratique en vigueur.

Si cet équipement est utilisé d'une façon qui n'a pas été définie par le fabricant, la protection fournie par l'équipement peut être compromise.

주의：本 제품 설치, 설정, 작동 또는 유지 보수하기 전에 본 문서를 포함하여 설치, 설정 및 작동에 관한 참고 자료 섹션의 문서들을 반드시 읽고 숙지하십시오. 사용자는 모든 관련 규정, 법규 및 표준에서 요구하는 사항에 대해 반드시 설치 및 배선 지침을 숙지해야 합니다.

설치, 조정, 가동, 사용, 조립, 분해, 유지보수 등 모든 작업은 관련 규정에 따라 적절한 교육을 받은 사용자가 통해서만 수행해야 합니다.

본 장비를 제조사가 명시하지 않은 방법으로 사용하면 장비의 보호 기능이 손상될 수 있습니다.

ATTENZIONE Prima di installare, configurare ed utilizzare il prodotto, o effettuare interventi di manutenzione su di esso, leggere il presente documento ed i documenti elencati nella sezione "Altre risorse", riguardanti l'installazione, la configurazione ed il funzionamento dell'apparecchiatura. Gli utenti devono leggere e comprendere le istruzioni di installazione e cablaggio, oltre ai requisiti previsti dalle leggi, codici e standard applicabili.

Le attività come installazione, regolazioni, utilizzo, assemblaggio, disassemblaggio e manutenzione devono essere svolte da personale adeguatamente addestrato, nel rispetto delle procedure previste. Qualora l'apparecchio venga utilizzato con modalità diverse da quanto previsto dal produttore, la sua funzione di protezione potrebbe venire compromessa.

DIKKAT: Bu ürünün kurulumu, yaplandırılması, işletilmesi veya bakımı öncesinde bu dokümanı ve bu ekipmanın kurulumu, yaplandırılması ve işletimi ile ilgili ilave Kaynaklar bölümünde yer listelenmiş dokümanları okuyun. Kullanıcılar yürürlükteki tüm yönetmelikler, yasalar ve standartların gereksinimlerine ek olarak kurulum ve kablolama talimatlarını da öğrenmek zorundadır.

Kurulum, ayarlama, hizmete alma, kullanma, parçaları birleştirme, parçaları sökme ve bakım gibi aktiviteler sadece uygun eğitimleri almış kişiler tarafından yürürlükteki uygulama yönetmeliklerine uygun şekilde yapılabilir.

Bu ekipman üretici tarafından belirlenmiş amacın dışında kullanılırsa, ekipman tarafından sağlanan koruma bozulabilir.

注意事項：在安装、設定、操作或維護本產品前，請先閱讀此文件以及列於「其他資源」章節中有關安裝、設定與操作此設備的文件。使用者必須熟悉安裝和配線指示，並符合所有法規、法律和標準要求。

包括安裝、調整、交付使用、使用、組裝、拆卸和維護等動作都必須交由已經適當訓練的人員進行，以符合適用的實作法規。

如果將設備用於非製造商指定的用途時，可能會造成設備所提供的保護功能受損。

POZOR: Než začnete instalovat, konfigurovat či provozovat tento výrobek nebo provádět jeho údržbu, přečtěte si tento dokument a dokumenty uvedené v části Dodatečné zdroje ohledně instalace, konfigurace a provozu tohoto zařízení. Uživatelé se musejí vedle požadavků všech relevantních vyhlášek, zákonů a norem nutně seznámit také s pokyny pro instalaci a elektrické zapojení.

Činnosti zahrnující instalaci, nastavení, uvedení do provozu, užívání, montáž, demontáž a údržbu musí vykonávat vhodně proškolený personál v souladu s příslušnými prováděcími předpisy.

Pokud se toto zařízení používá způsobem neodpovídajícím specifikaci výrobce, může být narušena ochrana, kterou toto zařízení poskytuje.

UWAGA: Przed instalacją, konfiguracją, użytkowaniem lub konserwacją tego produktu należy przeczytać niniejszy dokument oraz wszystkie dokumenty wymienione w sekcji Dodatkowe źródła omawiają ce instalację, konfigurację i procedury użytkowania tego urządzenia. Użytkownicy mają obowiązek zapoznać się z instrukcjami dotyczącymi instalacji oraz oprzewodowania, jak również z obowiązkami związanymi z kodeksami, prawem i normami.

Działania obejmujące ce instalację, regulację, przekazanie do użytkowania, użytkowanie, montaż, demontaż oraz konserwację muszą być wykonywane przez odpowiednio przeszkolony personel zgodnie z obowiązkami związanymi z kodeksem postępowania.

Jeśli urządzenie jest używane w sposób inny niż określony przez producenta, zabezpieczenie zapewniane przez urządzenie może zostać ograniczone.

OBSE: Läs detta dokument samt dokumentet, som står listat i avsnittet Övriga resurser, om installation, konfiguration och drift av denna utrustning innan du installerar, konfigurerar eller börjar använda eller utföra underhållsarbete på produkten. Användare måste bekanta sig med instruktioner för installation och kabeldragning, förutom krav enligt gällande koder, lagar och standarder.

Åtgärder som installation, justering, service, användning, montering, demontering och underhållsarbete måste utföras av personal med lämplig utbildning enligt lämpligt bruk.

Om denna utrustning används på ett sätt som inte anges av tillverkaren kan det hända att utrustningens skyddsanordningar försätts ur funktion.

LET OP: Lees dit document en de documenten die genoemd worden in de paragraaf Aanvullende informatie over de installatie, configuratie en bediening van deze apparatuur voordat u dit product installeert, configureert, bedient of onderhoudt. Gebruikers moeten zich vertrouwd maken met de installatie en de bedringsinstructies, naast de vereisten van alle toepasselijke regels, wetten en normen.

Activiteiten zoals het installeren, afstellen, in gebruik stellen, gebruiken, monteren, demonteren en het uitvoeren van onderhoud mogen uitsluitend worden uitgevoerd door hiervoor opgeleid personeel en in overeenstemming met de geldende praktijkregels.

Indien de apparatuur wordt gebruikt op een wijze die niet is gespecificeerd door de fabrikant, dan bestaat het gevaar dat de beveiliging van de apparatuur niet goed werkt.

Environment and Enclosure



This equipment is intended for use in a Pollution Degree 2 industrial environment, in overvoltage Category II applications (as defined in EN/IEC 60664-1), at altitudes up to 2000 m (6562 ft) without derating.

This equipment is not intended for use in residential environments and may not provide adequate protection to radio communication services in such environments.

This equipment is supplied as open-type equipment for indoor use. It must be mounted within an enclosure that is suitably designed for those specific environmental conditions that will be present and appropriately designed to prevent personal injury resulting from accessibility to live parts. The enclosure must have suitable flame-retardant properties to prevent or minimize the spread of flame, complying with a flame spread rating of 5VA or be approved for the application if nonmetallic. The interior of the enclosure must be accessible only by the use of a tool. Subsequent sections of this publication may contain more information regarding specific enclosure type ratings that are required to comply with certain product safety certifications.

In addition to this publication, see the following:

- Industrial Automation Wiring and Grounding Guidelines, publication [1770-4.1](#), for more installation requirements.
- NEMA Standard 250 and EN/IEC 60529, as applicable, for explanations of the degrees of protection provided by enclosures.

Prevent Electrostatic Discharge



This equipment is sensitive to electrostatic discharge, which can cause internal damage and affect normal operation. Follow these guidelines when you handle this equipment:

- Touch a grounded object to discharge potential static.
- Wear an approved grounding wriststrap.
- Do not touch connectors or pins on component boards.
- Do not touch circuit components inside the equipment.
- Use a static-safe workstation if available.
- Store the equipment in appropriate static-safe packaging when not in use.



ATTENTION: Personnel responsible for the application of safety-related programmable electronic systems (PES) shall be aware of the safety requirements in the application of the system and shall be trained in using the system.



ATTENTION: Electrical Safety Considerations

Power to this equipment and all connected I/O must be supplied from a source compliant with the following: Class 2 approved to UL1310.

North American Hazardous Location Approval (1791DS-IB12 and 1791DS-IB8XOB8)

The following information applies when operating this equipment in hazardous locations.	Informations sur l'utilisation de cet équipement en environnements dangereux.
<p>Products marked "CL I, DIV 2, GP A, B, C, D" are suitable for use in Class I Division 2 Groups A, B, C, D, Hazardous Locations and nonhazardous locations only. Each product is supplied with markings on the rating nameplate indicating the hazardous location temperature code. When combining products within a system, the most adverse temperature code (lowest "T" number) may be used to help determine the overall temperature code of the system. Combinations of equipment in your system are subject to investigation by the local Authority Having Jurisdiction at the time of installation.</p>	<p>Les produits marqués "CL I, DIV 2, GP A, B, C, D" ne conviennent qu'à une utilisation en environnements de Classe I Division 2 Groupes A, B, C, D dangereux et non dangereux. Chaque produit est livré avec des marquages sur sa plaque d'identification qui indiquent le code de température pour les environnements dangereux. Lorsque plusieurs produits sont combinés dans un système, le code de température le plus défavorable (code de température le plus faible) peut être utilisé pour déterminer le code de température global du système. Les combinaisons d'équipements dans le système sont sujettes à inspection par les autorités locales qualifiées au moment de l'installation.</p>
<div style="display: flex; align-items: flex-start;"> <div> <p>WARNING: Explosion Hazard -</p> <ul style="list-style-type: none"> • Do not disconnect equipment unless power has been removed or the area is known to be nonhazardous. • Do not disconnect connections to this equipment unless power has been removed or the area is known to be nonhazardous. Secure any external connections that mate to this equipment by using screws, sliding latches, threaded connectors, or other means provided with this product. • Substitution of components may impair suitability for Class I, Division 2. • If this product contains batteries, they must only be changed in an area known to be nonhazardous. </div> </div>	<div style="display: flex; align-items: flex-start;"> <div> <p>AVERTISSEMENT: Risque d'Explosion -</p> <ul style="list-style-type: none"> • Couper le courant ou s'assurer que l'environnement est classé non dangereux avant de débrancher l'équipement. • Couper le courant ou s'assurer que l'environnement est classé non dangereux avant de débrancher les connecteurs. Fixer tous les connecteurs externes reliés à cet équipement à l'aide de vis, loquets coulissants, connecteurs filetés ou autres moyens fournis avec ce produit. • La substitution de composants peut rendre cet équipement inadapté à une utilisation en environnement de Classe I, Division 2. • S'assurer que l'environnement est classé non dangereux avant de changer les piles. </div> </div>

North American Zones (1791DS-IB12 and 1791DS-IB8XOB8):

UL 60079-0, 5th Ed, 2009-10-21; UL 60079-15, 3rd Ed, 2009-7-17;
CAN/CSA C22.2 No. 60079-15-12 Ed. 1; CAN/CSA C22.2 No. 60079-0-11 Ed. 2



WARNING: (1791DS-IB12 and 1791DS-IB8XOB8) When you connect or disconnect the removable terminal block (RTB) with field side power applied, an electric arc can occur. This could cause an explosion in hazardous location installations. Be sure that power is removed or the area is nonhazardous before proceeding.



WARNING: (1791DS-IB12 and 1791DS-IB8XOB8) If you connect or disconnect the communications cable with power applied to this module or any device on the network, an electric arc can occur. This could cause an explosion in hazardous location installations. Be sure that power is removed or the area is nonhazardous before proceeding.



WARNING: (1791DS-IB12 and 1791DS-IB8XOB8) When used in a Class I, Division 2, hazardous location, this equipment must be mounted in a suitable enclosure with proper wiring method that complies with the governing electrical codes.



WARNING: (1791DS-IB12 and 1791DS-IB8XOB8) If you connect or disconnect wiring while the field-side power is on, an electric arc can occur. This could cause an explosion in hazardous location installations. Be sure that power is removed or the area is nonhazardous before proceeding.



WARNING: Special Conditions for Safe Use of the 1791DS Module.

- Use the module within an enclosure with IP54 protection or higher of EN 60529.
 - Wire conductors correctly and verify operation of the module before commissioning system in which the module is incorporated. Note that incorrect wiring may lead to loss of safety function.
 - Do not apply DC voltages exceeding rated voltages to the module.
 - Safety Agency approval requires power to this equipment and all connected I/O must be supplied from a source compliant with the following:
 - Class 2 supply approved to UL1310
 - Apply properly specified voltages to the module inputs. Applying inappropriate voltages causes the module to fail to perform its specified function, which leads to loss of safety functions or damage to the module.
 - Do not use test outputs as any safety output, noting that test outputs are not safety outputs.
 - Do not dismantle, repair, or modify the module. This may lead to loss of its safety function.
 - Use only appropriate components or devices complying with relevant safety standards corresponding to the required level of safety categories (safety integrity level). Conformity to requirements of safety category (safety integrity level) is determined as an entire system. We recommend you consult a certification body regarding assessment of conformity to required safety level.
 - Disconnect the module from the power supply when wiring.
 - Be cautious not to get fingers caught when attaching terminal sockets to the plugs on the module.
 - Qualified personnel should confirm installation and conduct test operations and maintenance after installation of the module.
 - Personnel familiar with machinery where the module is to be installed should conduct and verify installation.
 - The customer is responsible for compliance with applicable standards for the entire system.
-

Understand Suitability for Use

Rockwell Automation is not responsible for conformity with any standards, codes, or regulations that apply to the combination of the products in the customer's application or use of the product. Take all necessary steps to determine the suitability of the product for the systems, machine, and equipment with which it will be used. Know and observe all prohibitions of use applicable to this product.

Never use the products for an application involving serious risk to life or property without ensuring that the system as a whole has been designed to address the risks and that the Rockwell Automation product is properly rated and installed for the intended use within the overall equipment or system.

Special Conditions for Safe Use



WARNING: Do not use the unit in locations subject to the following:

- Direct sunlight
 - Temperatures or humidity beyond the ranges noted in the Specifications section
 - Condensation as the result of severe changes in temperature
 - Corrosive or flammable gases
 - Dust (especially iron dust) or salts
 - Water, oil, or chemicals
-

Mount

Remember the following when mounting the module.

- Use DIN rail that is 35 mm (1.38 in.) wide for placing the module in the control panel.
- Mount the module to DIN rails with endcap attachments, so that vibration does not cause it to fall.
- Leave at least 50 mm (1.97 in.) above and below the module to allow adequate ventilation and room for wiring.

Wire

Remember the following when wiring the module:

- Do not share communication lines and input/output lines with high-voltage lines.
- Wire correctly after confirming the signal names of all terminals.
- Do not remove the label from a unit before wiring. Always remove label after completing wiring to achieve proper heat dispersion.
- Before connection, process stranded wire with insulation-covered bar terminal (DIN 46228-4 standard compatible type) at its ends.
- Mount screw for communication and I/O connectors correctly at 0.25 Nm...0.3 Nm (2.21 lb-in...2.65 lb-in).



WARNING: Safety state of the module is defined as the off status of safety output and off status of network output.

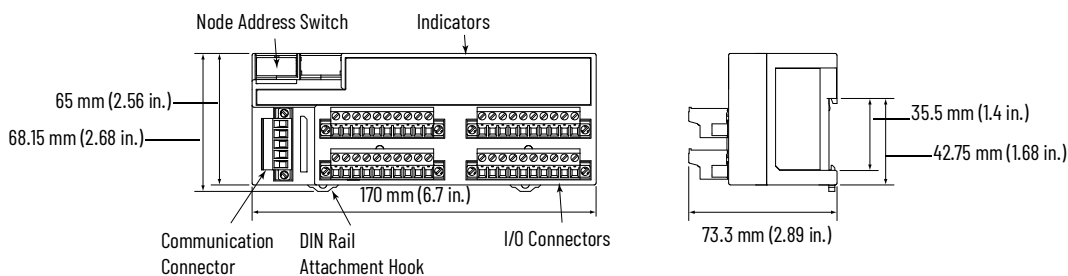
- Use the module only in applications where the safe status for the module produces the safe status.
- Do not connect loads beyond the rated value of the safety outputs. Serious injury can occur due to breakdown of safety outputs.
- Wire the module properly so that supply voltages or voltages for loads do not touch the safety outputs accidentally or unintentionally. Serious injury can occur due to loss of required safety functions.
- Connect a load across the output terminal and the 0V line (PNP output).
- For the 1791DS-IB4XOW4 module, apply only one AC line phase to the relay and insert a fuse at each output terminal whose current rating is less than 3.15 A to protect safety output contacts from welding. Confirm fuse selection with the fuse manufacturer, dependent on the connected load characteristics.
- Use appropriate devices referring to the following Controlling Devices Requirements Table. Serious injury can occur due to loss of safety functions.

Controlling Devices Requirements

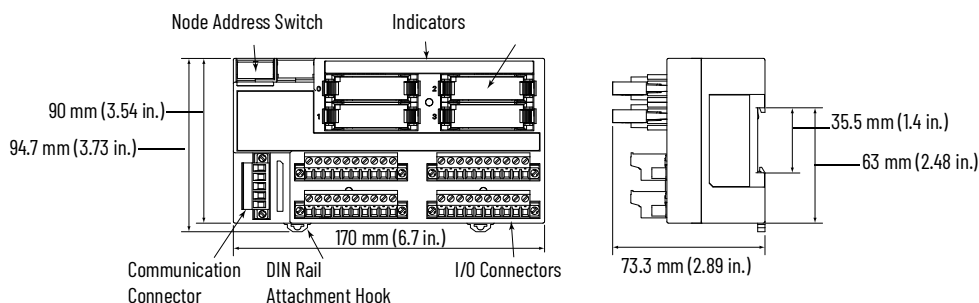
Device	Requirement
Emergency stop switch	Use approved devices with direct opening mechanism that comply with IEC/EN 60947-5-1.
Door interlocking switch limit switch	Use approved devices with direct opening mechanism that comply with IEC/EN 60947-5-1 and capable of switching microloads of 24V DC 5 mA.
Safety sensor	Use approved devices that comply with the relevant product standards, regulations, and rules in the country where used.
Relay with forcibly guided contacts	Use approved devices with forcibly guided contacts that comply with EN 50205. For feedback purposes use devices with contacts capable of switching micro loads of 24V DC 5 mA.
Other devices	Evaluate whether devices used are appropriate to satisfy requirements of safety category levels.

Functions and Dimensions

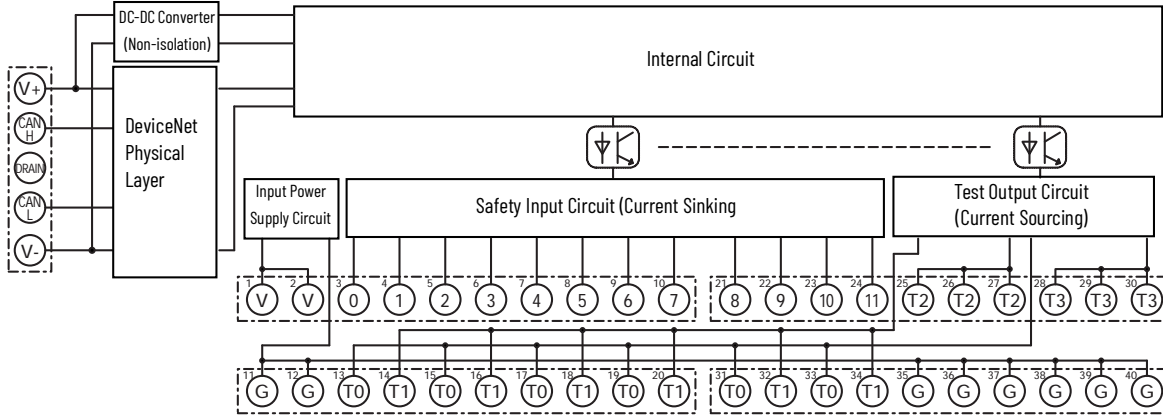
1791DS-IB12 and 1791DS-IB8XOB8



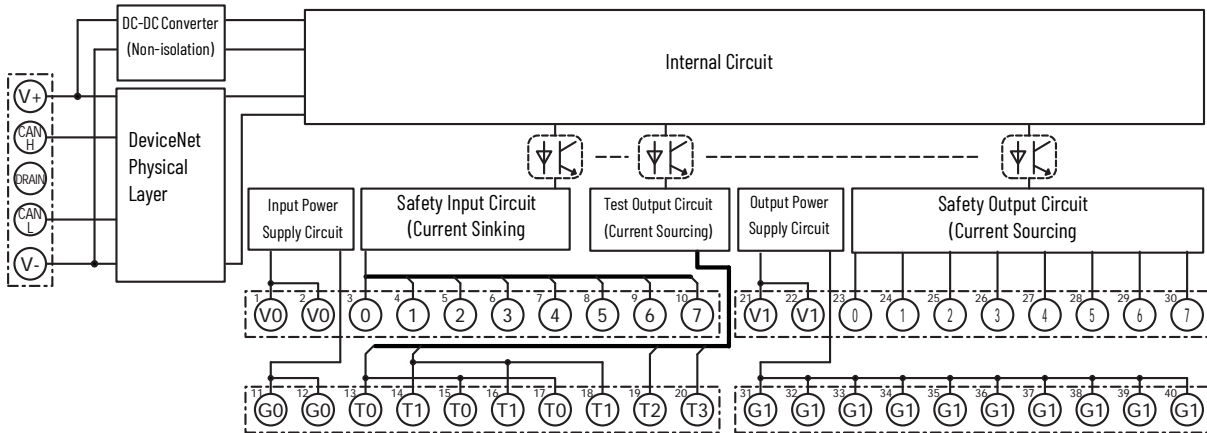
1791DS-IB4XOW4



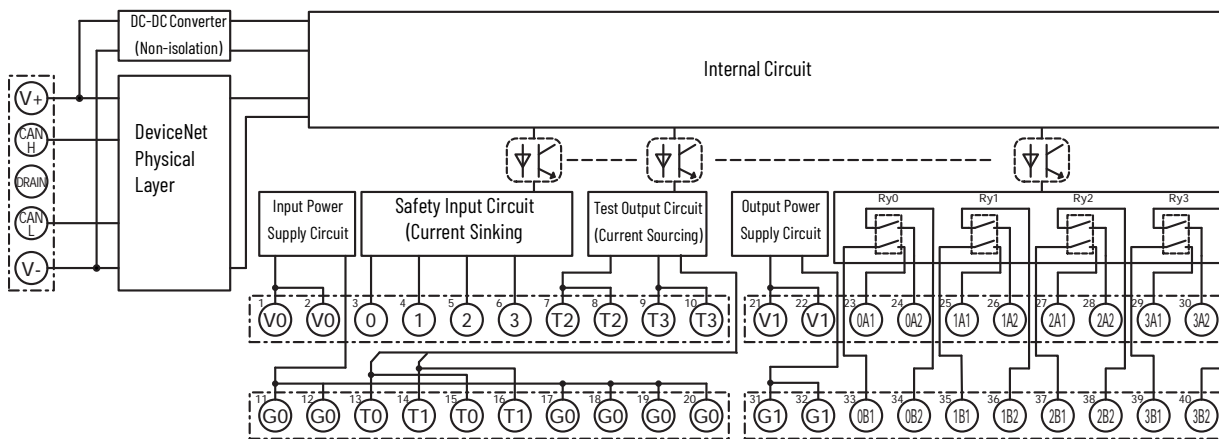
1791DS-IB12



1791DS-IB8X0B8



1791DS-IB4X0W4



Terminal Positions

Function for Model 1791DS-IB8X0B8

1,2	V0	Power terminal for external input devices Wire Plus side (24V)
11, 12	G0	Power terminal for external input devices Wire Minus side (0V)
3...10	0...7	Terminal for safety input
13...20	T0...T3	Terminal for test output

Terminal Positions (Continued)

21, 22	V1	Power terminal for external output devices	Wire Plus side (24V)
31, 32	G1	Power terminal for external output devices	Wire Minus side (0V)
23...30	0...7	Terminal for safety output	
33...40	G1	Common terminal for external devices Terminal No. 31...40 are connected internally	
Function for Model 1791DS-IB4X0W4			
1, 2	V0	Power terminal for external input devices and internal relay feedback monitor.	Wire Plus side (24V)
11, 12	G0	Power terminal for external input devices and internal relay feedback monitor.	Wire Minus side (0V)
17...20	G0	Common terminal for external devices Terminal No. 11, 12 and 17...20 are connected internally	
3...6	0...3	Terminal for safety input	
7...10, 13...16	T0...T3	Terminal for test output	
21, 22	V1	Power terminal for internal relay drive	Wire Plus side (24V)
31, 32	G1	Power terminal for internal relay drive	Wire Minus side (0V)
23...30 33...40	0A1...3A2 0B1...3B2	Terminal for safety output	
Function for Model 1791DS-IB12			
1,2	V	Power terminal for external input devices	Wire Plus side (24V)
11, 12	G	Power terminal for external input devices	Wire Minus side (0V)
35...40	G	Common terminal for external devices	Terminal 11,12 and 35...40 are connected internally
3...10, 21...24	0...11	Terminal for safety input	
13...20, 25...30, 31...34	T0...T3	Terminal for test output	

Status Indicators

Indicator	Status	Description
MS	Steady green	Device operational
	Flashing green	Waiting for safety connection
	Steady red	Unrecoverable fault
	Flashing red	Minor fault
	Alternating green and red	Device self-testing or configuring
	Off	No power
NS	Steady green	Online/connected
	Flashing green	Online/not connected
	Steady red	Critical link failure
	Flashing red	Connection timed out
	Off	Not powered/not online
LOCK	Steady yellow	Normal configuration data, locked status
	Flashing yellow	Normal configuration data, but not locked status
	Off	Configuration has not been performed
IN PWR OUTPWR	Steady green	Power supply is on
	Off	No power
IN	Steady yellow	Safety input on
	Off	Safety input off
	Steady red	An error occurs in an input circuit part
	Flashing red	When dual channel is set, an error occurs in the redundant channel
OUT	Steady yellow	Safety output on
	Off	Safety output off
	Steady red	An error occurs in an output circuit part
	Flashing red	When dual channel is set, an error occurs in the redundant channel

Specifications

Technical Specifications

Attribute	Value
Communications power supply voltage	11...25V DC (supplied from communications power supply)
Communications current consumption	110 mA at 24V DC
I/O power supply voltage	20.4...26.4V DC (24V DC, -15...+10%)
Weight	420 g (0.93 lb) - 1791DS-IB12, 1791-IB8XOB8 600 g (1.32 lb) - 1791DS-IB4XOW4
Wire category ⁽¹⁾	2 - on signal ports 2 - on power ports 2 - on communications ports
Wire size	Copper <ul style="list-style-type: none"> 0.2...2.5 mm² (AWG 24...12) solid wire 0.34...1.5 mm² (AWG 22...16) standard (flexible) wire with insulation-covered bar terminal
Enclosure type	None (open-style)
North American temperature code	T4 (1791DS-IB12 and 1791DS-IB8XOB8)

(1) Use this Conductor Category information for planning conductor routing. See Industrial Automation Wiring and Grounding Guidelines, publication [1770-4.1](#).

Environmental Specifications

Attribute	Value
Temperature, operating	-10...+55 °C (+14...+131 °F)
Temperature, ambient, max	55 °C (131 °F)
Temperature, surrounding air, max	55 °C (131 °F)
Temperature, nonoperating	-40...+70 °C (-40...+158 °F)
Relative humidity IEC 60068-2-30 (Test dB, Unpackaged Damp Heat)	10...95% noncondensing (1791DS-IB12 and 1791DS-IB8XOB8) 10...85% noncondensing (1791DS-IB4XOW4)
Vibration IEC 60068-2-6 (Test Fc, Operating)	5 g @ 10...500 Hz
Shock, operating IEC 60068-2-27 (Test Ea, Unpackaged Shock)	15 g (1791DS-IB12 and 1791DS-IB8XOB8) 10 g (1791DS-IB4XOW4)
Operating environment	No corrosive gases
Overvoltage category	II (per IEC 61131-2:4.4.2)

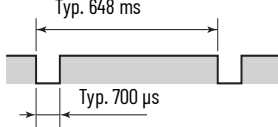
Safety Input Specifications

Attribute	Value
Inputs type	Current sinking
ON voltage	11V DC min
OFF voltage	5V DC max
OFF current	1 mA max
Input current	6 mA

Test Output Specifications

Attribute	Value
Output type	Current sourcing
Rated output current	0.7 A
Residual voltage	1.2V max
Leakage current	0.1 mA max

Safety Output Specifications

Attribute	Value	Signal Sequence
Output type	Current sourcing	 <p>Typ. 648 ms</p> <p>Typ. 700 μs</p>
Rated output current	0.5 A	
Residual voltage	1.2V max	
Leakage current	0.1 mA max	

IMPORTANT: While safety outputs are in an On state, the signal sequence shown in the figure is output continuously for fault diagnosis. Confirm response time of device that is connected to safety outputs so the device does not malfunction due to this Off pulse.

Safety Output (Relay)

Relay type	G7SA-2A2B EN50205 Class A
Minimum permissible load	5V DC, 1 mA
Resistive load	240V AC, 2 A 30V DC, 2 A
Inductive load	240V AC, 2 A (cos Θ = 0.3); 24V DC, 1 A
Durability (mechanical)	5,000,000 operations min (at approximately 7200 operations/hr)
Durability (electrical)	100,000 operations min (at approximately 1800 operations/hr)

Reaction Time

Attribute	Value
Max input reaction time	16.2 ms + set values of on/off delays
Max output reaction time	6.2 ms + (20 ms) relay response time, 1791DS-IB4X0W4 only

Certifications

Certification (when product is marked) ⁽¹⁾	Description
c-UL-us	UL Listed Information Technology Equipment, certified for US and Canada (all models) UL Listed Industrial Control Equipment, certified for US and Canada (1791DS-IB12 and 1791DS-IB8X0B8 only)
CE	European Union 2014/30/EU EMC Directive, compliant with: EN 61131-2; Programmable Controllers (Clause 8, Zone A & B) European Union 2014/35/EU LVD, compliant with: EN 61131-2; Programmable Controllers (Clause 11)
UKCA	European Union 2014/30/EU EMC Directive, compliant with: EN 61131-2; Programmable Controllers (Clause 8, Zone A & B) European Union 2014/35/EU LVD, compliant with: EN 61131-2; Programmable Controllers (Clause 11)
RCM	Australian Radiocommunications Act, compliant with: AS/NZS CISPR 11; Industrial Emissions
TÜV	TÜV Certified for Functional Safety ⁽²⁾ . Compliant with IEC 61508 (SIL 3) and EN 954-1 (Category 4)
UL	UL Certified for Functional Safety ⁽²⁾
KC	Korean Registration of Broadcasting and Communications Equipment, compliant with: Article 58-2 of Radio Waves Act, Clause 3
EAC	Russian Customs Union TR CU 020/2011 EMC Technical Regulation
Morocco	Arrêté ministériel n° 6404-15 du 1 er muharram 1437
DeviceNet®	ODVA conformance tested to DeviceNet specifications

(1) See the Product Certification link at <http://www.ab.com> for Declarations of Conformity, Certificates, and other certification details.

(2) When used with specified firmware revisions.

Additional Resources

These documents contain additional information concerning related products from Rockwell Automation.

Resource	Description
DeviceNet Modules in Logix 5000 Control Systems User Manual, publication DNET-UM004	Provides information on how to connect the controller to the network.
DeviceNet Safety I791DS Series User Manual, publication I791DS-UM001	Describes how to connect, wire, operate, configure, and troubleshoot Guard I/O™ modules.
System Security Design Guidelines Reference Manual, SECURE-RM001	Provides guidance on how to conduct security assessments, implement Rockwell Automation products in a secure system, harden the control system, manage user access, and dispose of equipment.
Industrial Components Preventive Maintenance, Enclosures, and Contact Ratings Specifications, publication IC-TD002	Provides a quick reference tool for Allen-Bradley industrial automation controls and assemblies.
Safety Guidelines for the Application, Installation, and Maintenance of Solid-state Control, publication SGI-1.1	Designed to harmonize with NEMA Standards Publication No. ICS 1.1-1987 and provides general guidelines for the application, installation, and maintenance of solid-state control in the form of individual devices or packaged assemblies incorporating solid-state components.
Industrial Automation Wiring and Grounding Guidelines, publication I770-4.1	Provides general guidelines for installing a Rockwell Automation industrial system.
Product Certifications website, rok.auto/certifications .	Provides declarations of conformity, certificates, and other certification details.

You can view or download publications at rok.auto/literature.

Rockwell Automation Support

Use these resources to access support information.

Technical Support Center	Find help with how-to videos, FAQs, chat, user forums, and product notification updates.	rok.auto/support
Knowledgebase	Access Knowledgebase articles.	rok.auto/knowledgebase
Local Technical Support Phone Numbers	Locate the telephone number for your country.	rok.auto/phonesupport
Literature Library	Find installation instructions, manuals, brochures, and technical data publications.	rok.auto/literature
Product Compatibility and Download Center (PCDC)	Download firmware, associated files (such as AOP, EDS, and DTM), and access product release notes.	rok.auto/pcdc

Documentation Feedback

Your comments help us serve your documentation needs better. If you have any suggestions on how to improve our content, complete the form at rok.auto/docfeedback.

Waste Electrical and Electronic Equipment (WEEE)







At the end of life, this equipment should be collected separately from any unsorted municipal waste.

Rockwell Automation maintains current product environmental compliance information on its website at rok.auto/pec.

Your comments help us serve your documentation needs better. If you have any suggestions on how to improve our content, complete the form at rok.auto/docfeedback.

For technical support, visit rok.auto/support.

Rockwell Otomasyon Ticaret A.Ş. Kar Plaza İş Merkezi E Blok Kat:6 34752 İçerenköy, İstanbul, Tel: +90 (216) 5698400 EEE Yönetmeliğine Uygundur

Connect with us.    

rockwellautomation.com — expanding human possibility™

AMERICAS: Rockwell Automation, 1201 South Second Street, Milwaukee, WI 53204-2496 USA, Tel: (1) 414.382.2000, Fax: (1) 414.382.4444

EUROPE/MIDDLE EAST/AFRICA: Rockwell Automation NV, Pegasus Park, De Kleetlaan 12a, 1831 Diegem, Belgium, Tel: (32) 2 663 0600, Fax: (32) 2 663 0640

ASIA PACIFIC: Rockwell Automation, Level 14, Core F, Cyberport 3, 100 Cyberport Road, Hong Kong, Tel: (852) 2887 4788, Fax: (852) 2508 1846

Allen-Bradley, expanding human possibility, Logix 5000, Guard I/O, and Rockwell Automation are trademarks of Rockwell Automation, Inc.

DeviceNet is a trademark of ODVA, Inc.

Trademarks not belonging to Rockwell Automation are property of their respective companies.

Publication I791DS-IN001E-EN-P - June 2021 | Supersedes Publication I791DS-IN001D-EN-P-August 2009

Copyright © 2021 Rockwell Automation, Inc. All rights reserved. Printed in the U.S.A.

PN-638020