

Serial Ports for the IC693CMM311

The Series 90-30 CMM has a single serial connector which supports two ports. Port 1 applications must use the RS-232 interface. Port 2 applications can select either the RS-232 or RS-485 interface.

NOTE

When using the RS-485 mode, the CMM can be connected to RS-422 devices as well as RS-485 devices.

The connector pin assignments for the Series 90-30 CMM are shown below.

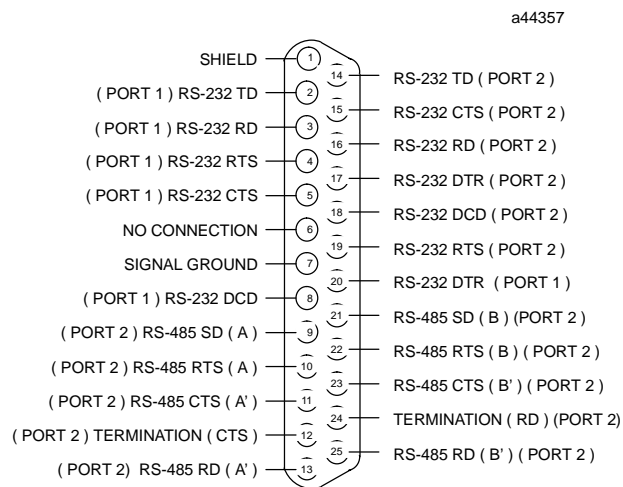


Figure 2-4. Serial Port Pin Assignments for the IC693CMM311

The RS-485 signals for port 2 and the RS-232 signals for port 1 are assigned to the standard connector pins. The RS-232 signals for port 2 are assigned to normally unused connector pins.

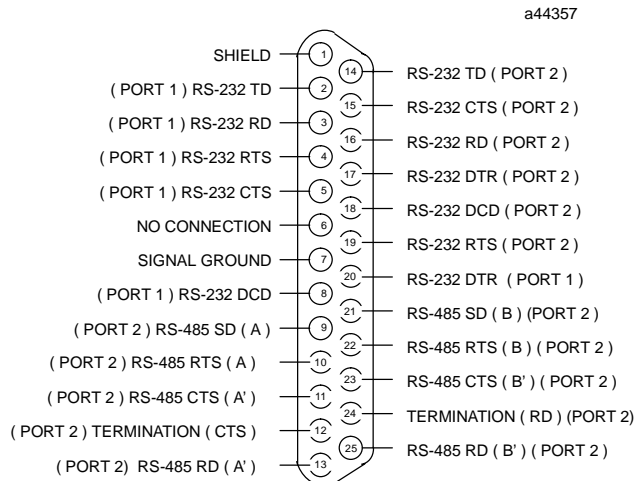
IC693CBL305 Wye Cable

A Wye cable (IC693CBL305) is supplied with each Series 90-30 CMM and PCM module. The purpose of the Wye cable is to separate the two ports from a single physical connector (that is, the cable separates out the signals). In addition, the Wye cable makes cables used with the Series 90-70 CMM fully compatible with the Series 90-30 CMM and PCM modules.

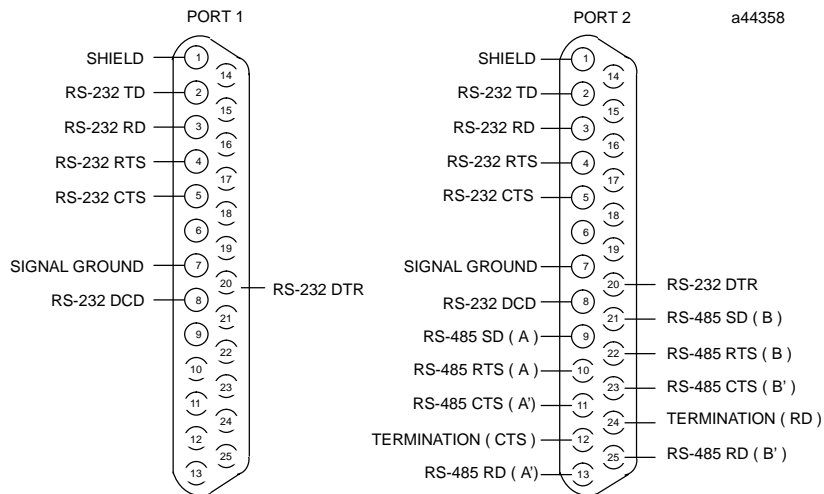
The IC693CBL305 Wye cable is 1 foot in length and has a right angle connector on the end that connects to the serial port on the CMM module. The other end of the cable has dual connectors; one connector is labeled **PORT 1**, the other connector is labeled **PORT 2** (see figure below).

The IC693CBL305 Wye cable routes the Port 2, RS-232 signals to the RS-232 designated pins. If you do not use the Wye cable, you will need to make a special cable to connect RS-232 devices to Port 2.

See the following figure for IC693CBL305 cable connection information.



Single Connector End



Wye Connector End

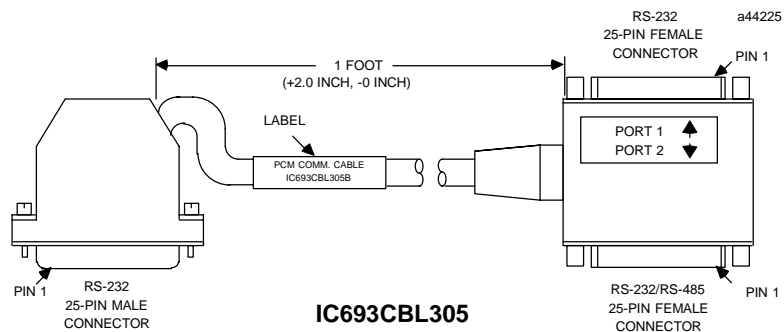


Figure 2-5. IC693CBL305 Wye Cable Connections